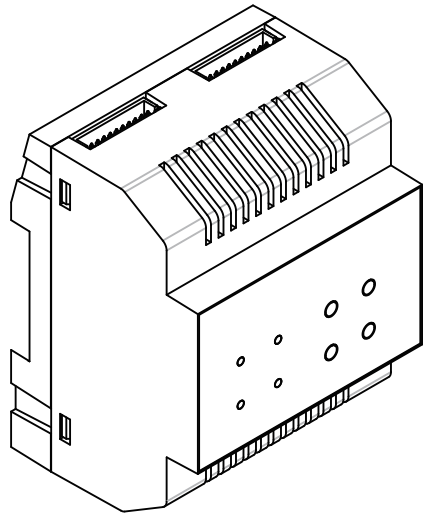


2-WIRE INTERCOM SYSTEM

User Instruction

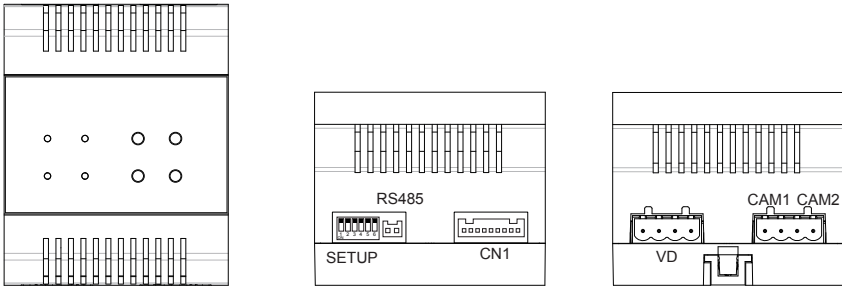
- Public video memory module
- Staircase light controller
- Extra cameras extended



Introduction

The SC6V module is designed for DT system for public video sharing, staircase light control, and extra cameras. Note that the SC6V unit is just for the monitors that support the function only, it must use together with PC6 to support these functions, and one SC6V could support the whole system.

Terminal Description



SETUP: DIP switches, refer to table 1 for detail information.

RS485: Used to update program for SC6V.

CN1: Input port, connect to PC6.

VD: Output port, connect to DVR.

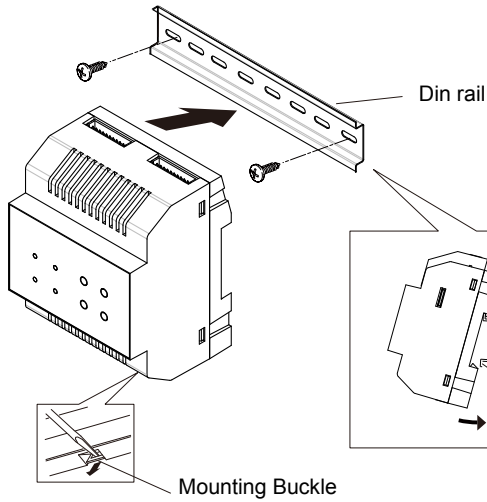
CAM1: Input port, connect to DT-CAM1 (2 wire camera).

CAM2: Input port, connect to DT-CAM2 (2 wire camera).

Table 1

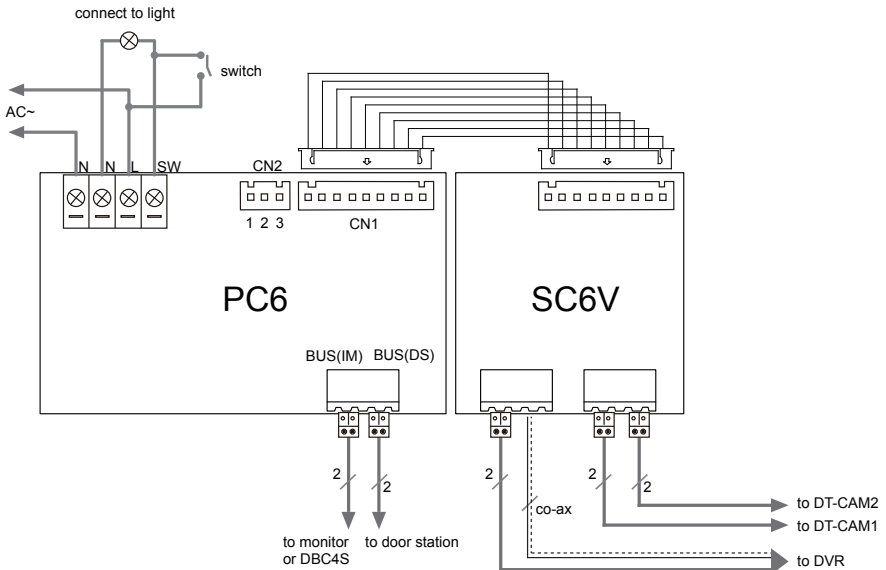
Bit	Bit State	Description
DIP1~DIP2		Both of the DIP1&DIP2 should be set to OFF.
DIP3		OFF is default, if the system connect camera1, it should set to ON to activate the camera1 function.
DIP4		OFF is default, if the system connect camera2, it should set to ON to activate the camera2 function.
DIP5		When the system connect to a light, it should be set to OFF; When the system connect to a lock, it should be set to ON.
DIP6	Reserve	Reserve

Mounting



Step1: Mount the din rail to the wall with screws ;
 Step2: Pull down the mounting buckle, then hang the unit on din rail.

Wiring Diagram



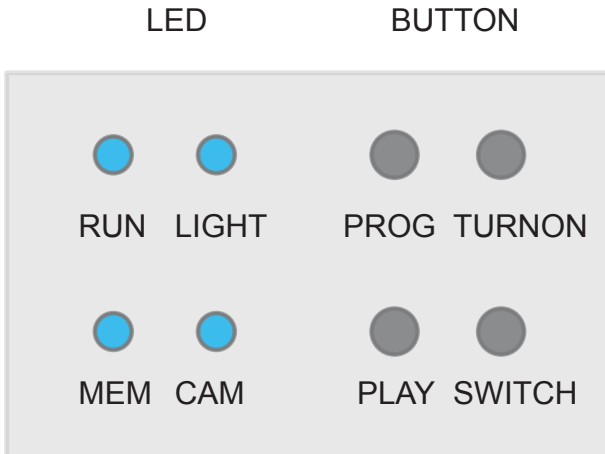
Note:

- 1.the SC6V must connect together with PC6 to achieve its functions.
2. Only one SC6V is required for one system.
3. When connecting to SC6V, the video function and calendar will be activated immediately.
4. if the switch is on, the light will be always on. if the switch is off, the light is controlled by the monitor.

Video Memory

- The monitor of the system must support video memory function.
- The monitor support both auto record and manual record.
- The recorded videos can be deleted on monitor.
- The recorded videos can be played on monitor directly when the system is not in busy. If the system receives calls, the playback will be interrupted immediately.
- For the apartment system,each unit can only preview the recorded videos of their own user code.

Configuration



1. When SC6V working in normal, the status of LED and button operation are as follows:

LED Indicator	Description
RUN	-Always on
LIGHT	-LED on when the system connect light(lock) and it is turned on(unlocked)
MEMORY	- LED on when the recorded videos is playing - Always on when recording videos
CAMERA	- LED on when camera1 is working - Blink slowly when camera2 is working

BUTTON	Description
PROG	-Press to enter program mode
TURN ON	-Press to turn on the light(lock)
PLAY	-When the monitor is in monitoring, press to playback automatically, press again to play manually.
SWITCH	- When the montior is monitoring the view of door station, press to switch to camera1, press again to switch to camera2, then switch between camera1 and camera2. - When the monitor is monitoring the view of camera1, press to switch to camera2, then switch between camera1 and camera2.

2. When SC6V working in program mode, the status of LED and button operation are as follows:

How to enter program mode: when SC6V working in normal, press **PROG** button to enter program mode. If have not any operation in 30 seconds, the program mode will be quit automatically.

LED Indicator	Description
RUN	Blink
LIGHT	LED on when setting the time for light(lock)
MEMORY	LED on when formatting the SC6V memory
CAMERA	LED on when restore to default

BUTTON	Description
PROG	Press to quit program mode
TURN ON	Press to set the time for light(lock) In program mode,press TURN ON button, the LIGHT indicator will blink, timing is starting, press the TURN ON button again to confirm the time of light on(unlock).
PLAY	Press to format the SC6V memory In program mode,press PLAY button for 3 seconds , the MEMORY indicator will blink, formatting is starting.
SWITCH	Press to restore to default In program mode,press SWITCH button for 3 seconds, the CAMERA indicator will blink, restore to default is starting.

Specification


Power Supply:	DC24V(supply by PC6)
Power Consumption:	standby:10mA;working:70mA
Working Temperature:	-5°C ~+45°C
Dimension:	90(H)X72(W)X60(D)mm

Warning

- The unit can only be used in DT 2 wire products supplied by our company.
- Don't connect the unit with any non-specified power source. It may cause fire or electric shock.
- Don't disassemble or modify the unit. It may cause fire or electric shock.
- The unit must be installed and wired by a qualified technician.
- Keep the unit away from water or any other liquid. It may cause fire or electric shock.

Special Note:

SD card transfer rate level should be above class4, at the same time, the SD card to be formatted into FAT32 file system.



The design and specifications can be changed without notice to the user. Right to interpret and copyright of this manual are preserved.