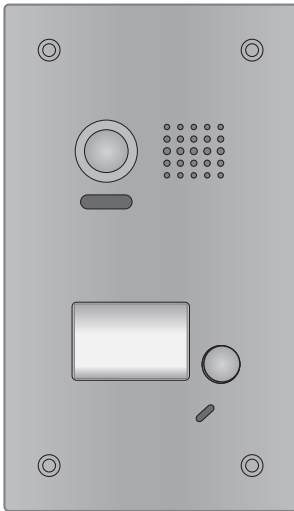
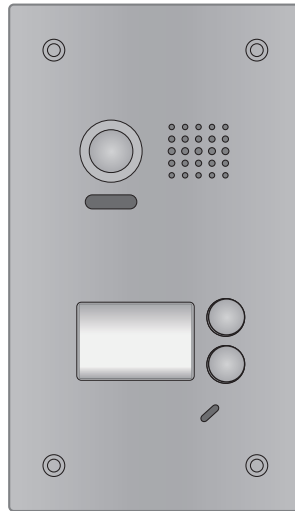


2 -Wire Intercom System

DT603F Series User Manual



DT603F

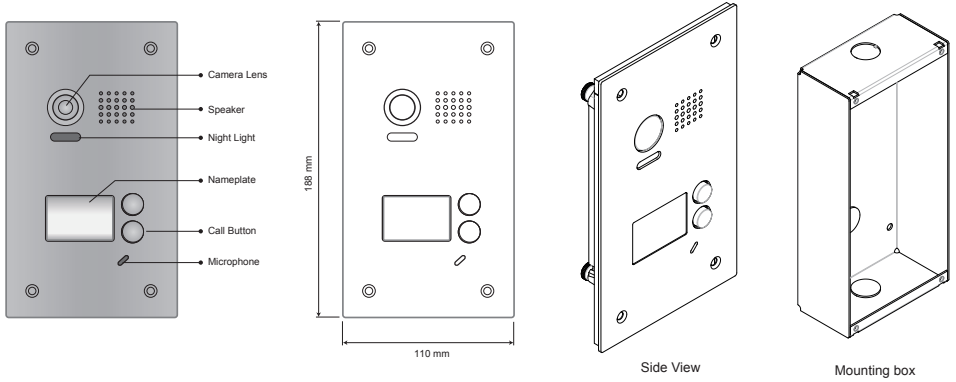


DT603DF

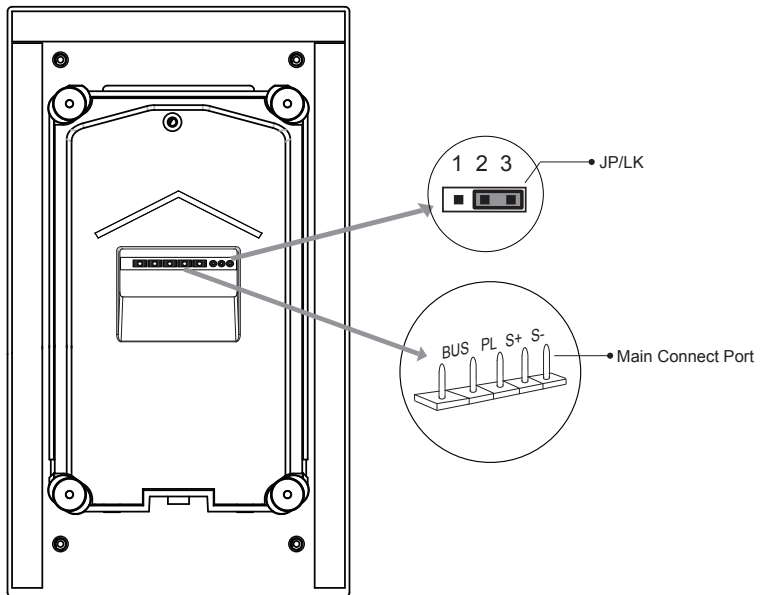
CONTENTS

1.Parts and Functions.....	1
2.Terminal Descriptions	1
3.Specifications	2
4.Mounting.....	2
4.1 Mounting	2
4.2 Placing Name Label	3
5.System Wiring and Connections	3
5.1 Basic Connection.....	3
5.2 Electric Lock Connection	4
5.2.1 Door Lock Controlled with Internal Power	4
5.2.2 Door Lock Controlled with Dry Contact	4
5.2.3 Unlock parameter setting(set on monitor)	5
5.3 Multi Doorstations Connection.....	5
5.4 Multi Monitors Connection	6
5.4.1 Basic IN-OUT Wiring Mode	6
5.4.2 With DBC-4S Wiring Mode	7
6.Setup	8
6.1 ID of Doorstation Settings	8
6.2 Unlock Time Settings	9
6.3 Ringtone Modes Settings	10
7.Cables Requirements	11

1.Parts and Functions



2.Terminal Descriptions



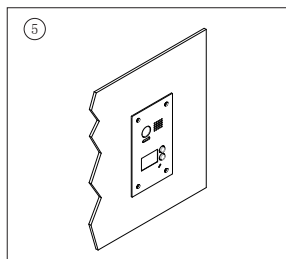
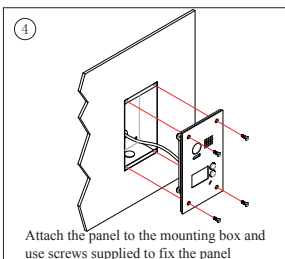
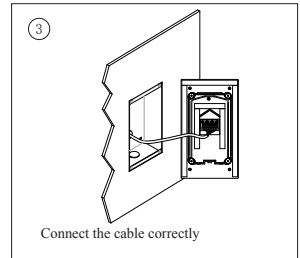
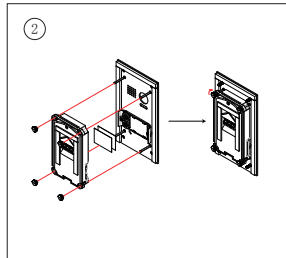
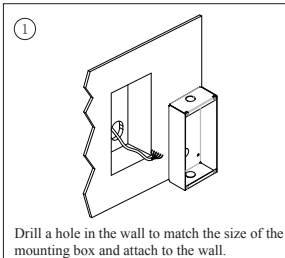
- **JP/LK:** Lock control jumper, to select the lock type(see 5.2.1 , 5.2.2).
- **Main Connect Port:** To connect the bus line and the electronic locks.
- **BUS:** Connect to the bus line, no polarity.
- **PL:** External lock power input, connect to the power positive(power +).
- **S+:** Lock power(+) output.
- **S-:** Lock power(-) output, connect to the power(-) input of locks(only when using the camera to power the locks, if using the external power supply for the locks, the S- will not be connected).

3.Specifications

- | | |
|------------------------|-------------------------------------|
| • Power Supply : | DC 24V; |
| • Lock Power supply: | 12Vdc, 300mA(Internal Power); |
| • Power Consumption: | Standby 33mA; Working status 110mA; |
| • Camera: | Color ARS; 650 TV Lines; |
| • Unlocking time: | 1~30s(Default 1s); |
| • Working temperature: | -15°C ~ 55°C; |
| • Dimension: | 188(H)×110(W)×39(D)mm. |

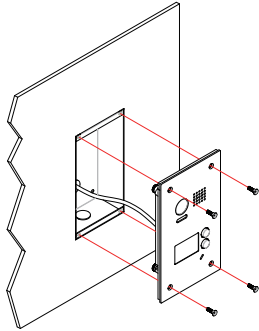
4.Mounting

4.1 Mounting

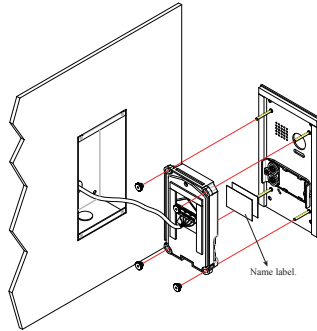


4.2 Placing Name Label

Move the plastic cover away to open the transparent name label cover, insert a name paper, then put the plastic cover back to the panel.



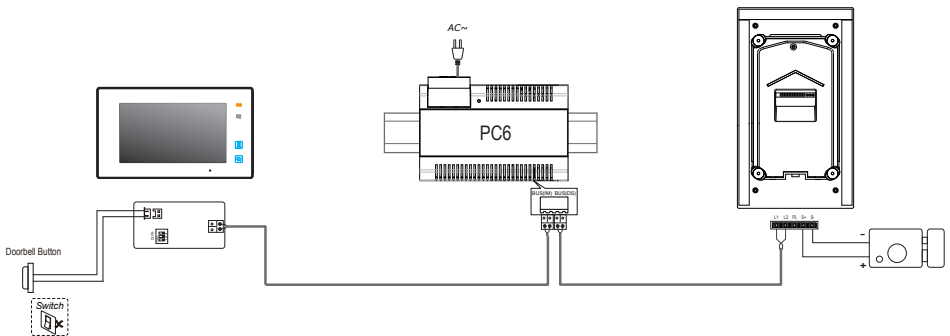
STEP 1
Unscrew the screws.



STEP 2
Replace name label.

5. System Wiring and Connections

5.1 Basic Connection





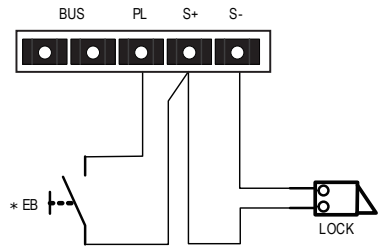
5.2 Electric Lock Connection

5.2.1 Door Lock Controlled with Internal Power

Note:

1. Electronic lock of Power-on-to-unlock type should be used.
2. The door lock is limited to 12V, and holding current must be less than 250mA.
3. The door lock control is not timed from Exit Button(EB).
4. The **Unlock Mode** Parameter of Monitor must be set to 0 (by default).
5. When it connect Electronic lock, the jumper position in 2-3.
6. When it connect E-magnetic lock, the jumper position in 1-2.

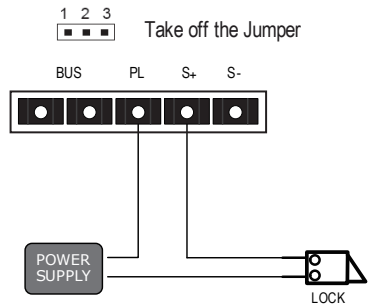
-  connect E-magnetic lock, the jumper position in 1-2.
-  connect Electronic lock, the jumper position in 2-3.



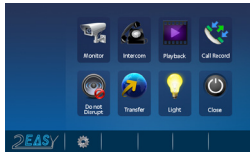
5.2.2 Door Lock Controlled with Dry Contact

Note:

1. The external power supply must be used according to the lock.
2. The jumper must be taken off before connecting.
3. Setup the **Unlock Mode** of Monitor for different lock types.
 - Power-on-to-unlock type:Unlock Mode=0 (by default)
 - Power-off-to-unlock type:Unlock Mode=1



5.2.3 Unlock parameter setting(set on monitor)



1. Touch **EASY** icon on main menu page.



2. Touch **UNLOCK** button and hold for 2s.

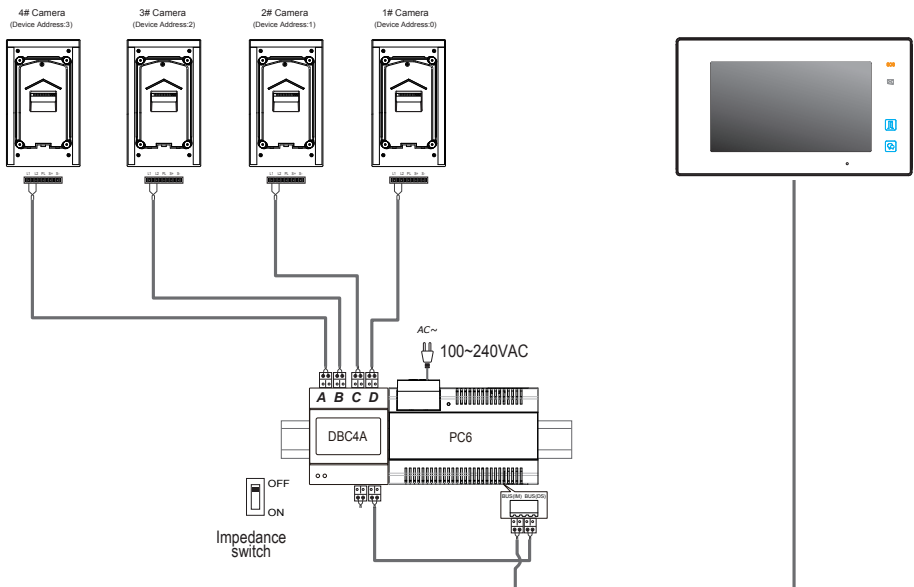


3. A digital keypad will be shown.

Note:

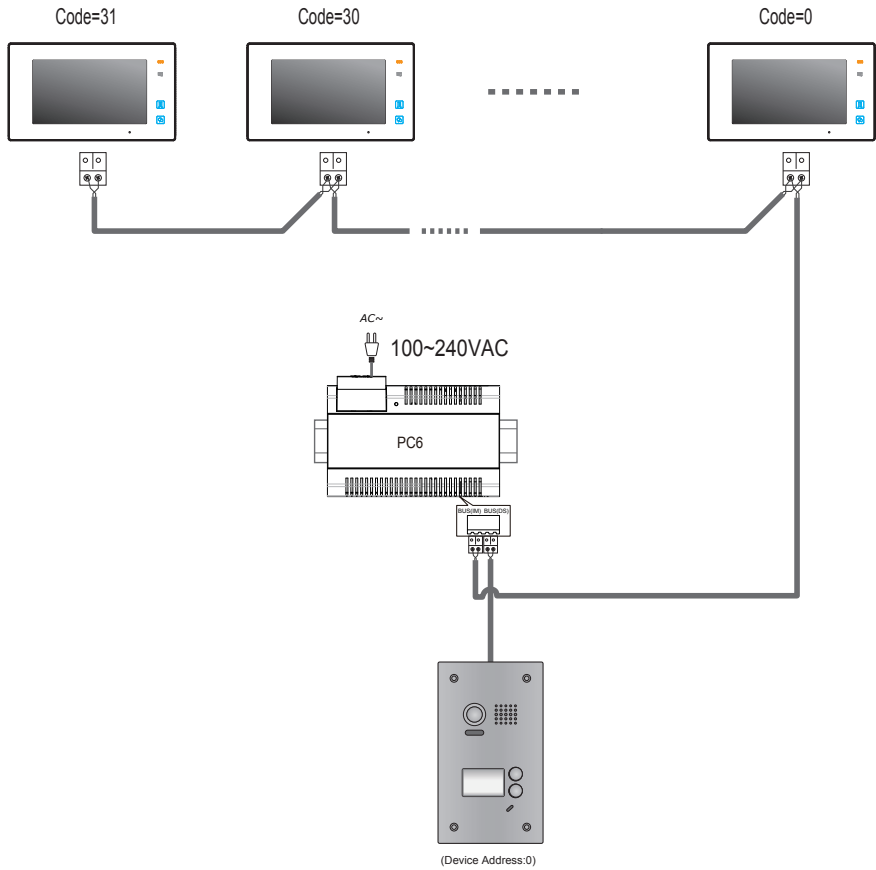
1. must connect DT603F/603DF correctly before setting.
2. the parameter will be saved in DT603F/603DF automatically, so you need only set on one monitor.
3. Here we take DT47M (the monitor) for example, please refer to the corresponding user manual.

5.3 Multi Doorstations Connection



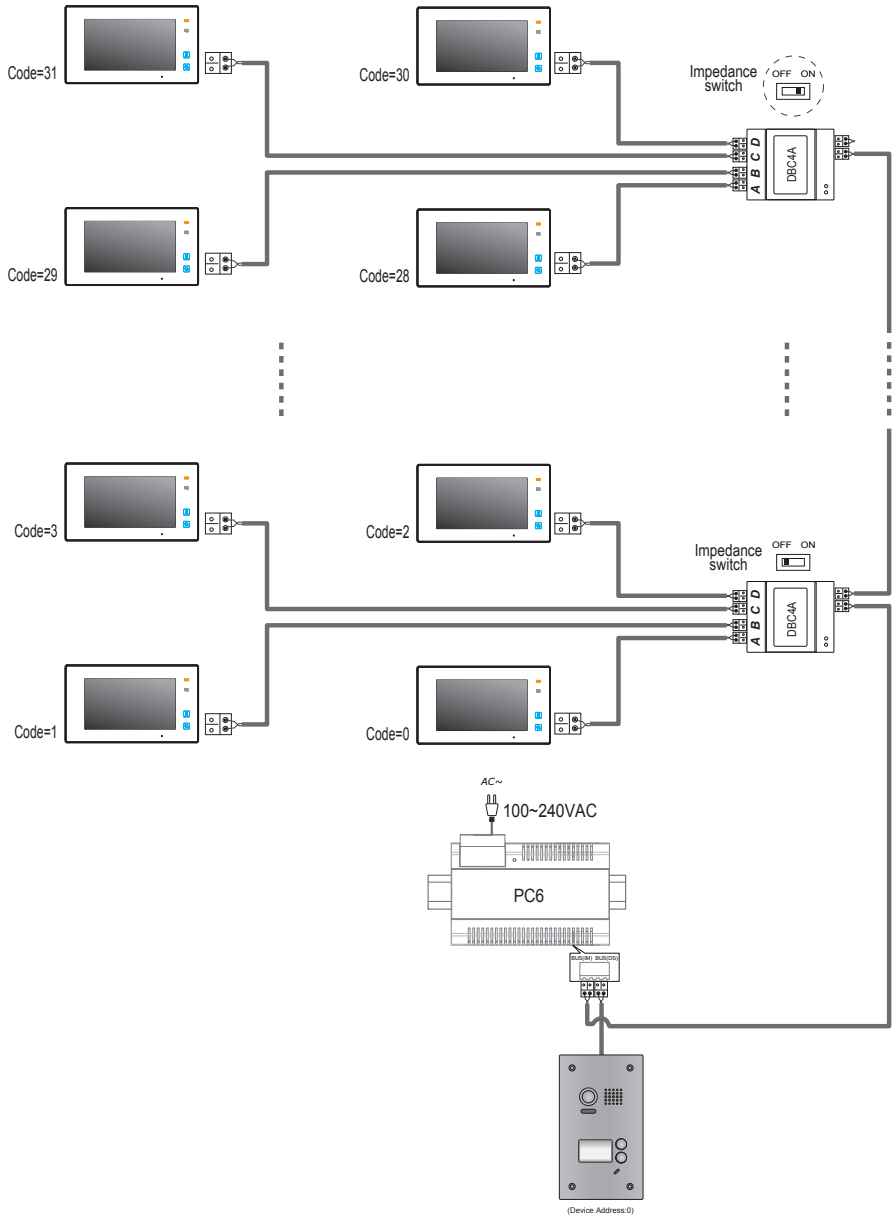
5.4 Multi Monitors Connection

5.4.1 Basic IN-OUT Wiring Mode



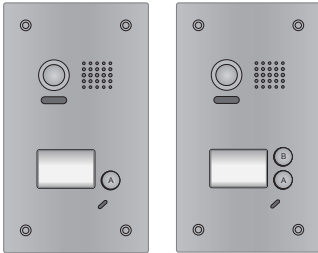
NOTE: Here we take DT47M (the monitor) for example.

5.4.2 With DBC4A Wiring Mode



NOTE: Here we take DT47M (the monitor) for example.

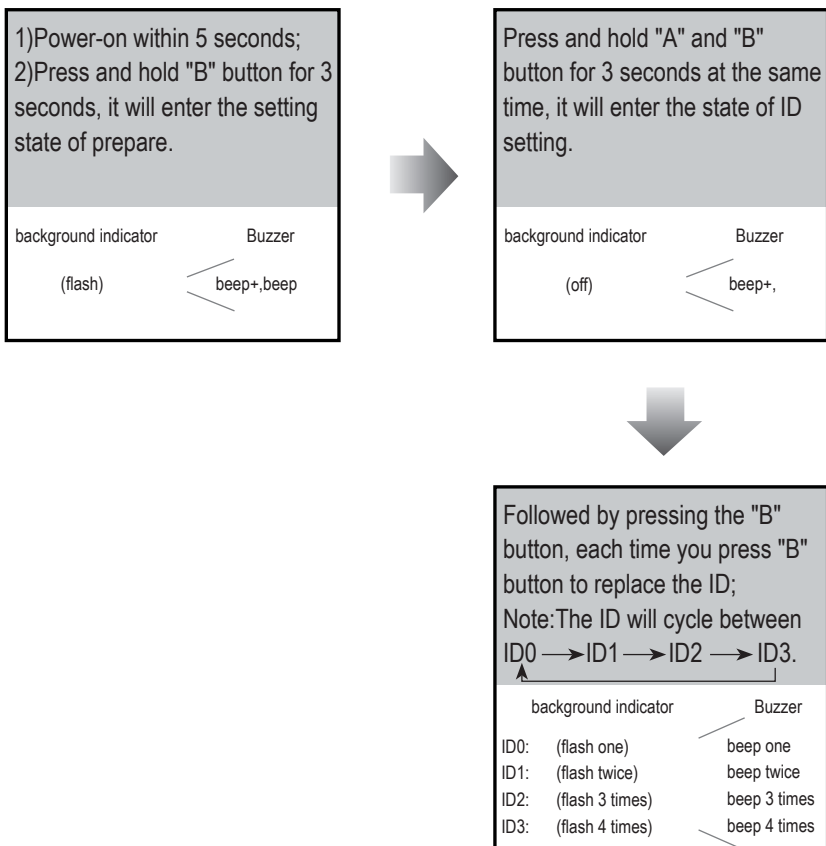
6. Setup



Note: Monitors response button A must set the user code from 0 to 15. and button B set the user code from 16 to 31.

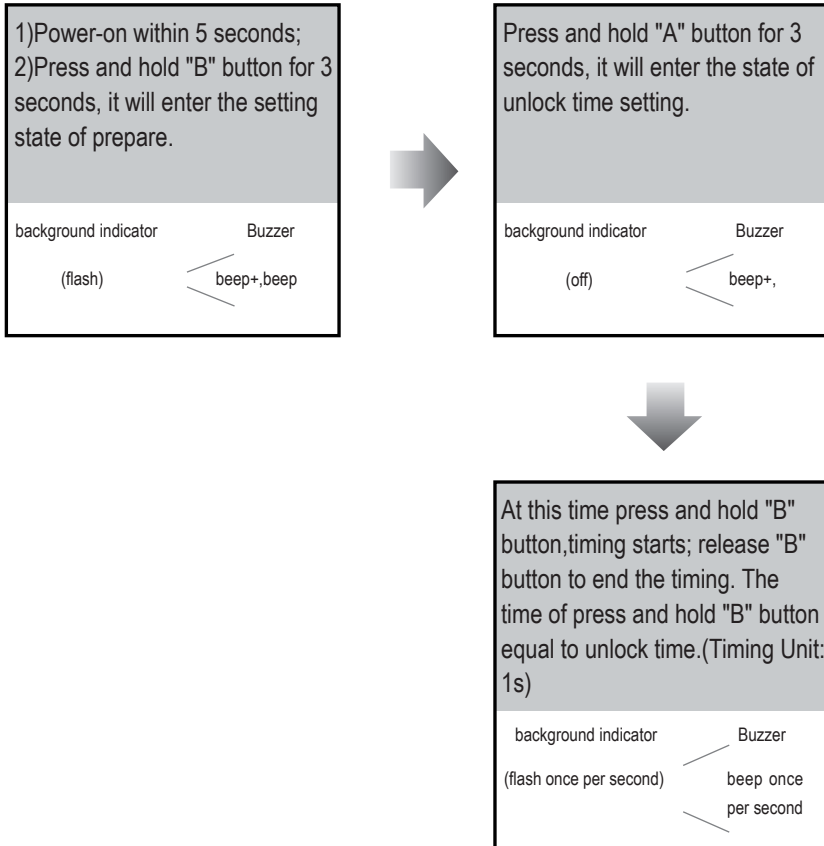
6.1 ID of Doorstation Settings

The ID of doorstation can be set to ID0/ID1/ID2/ID3. The default is ID0.



6.2 Unlock Time Settings

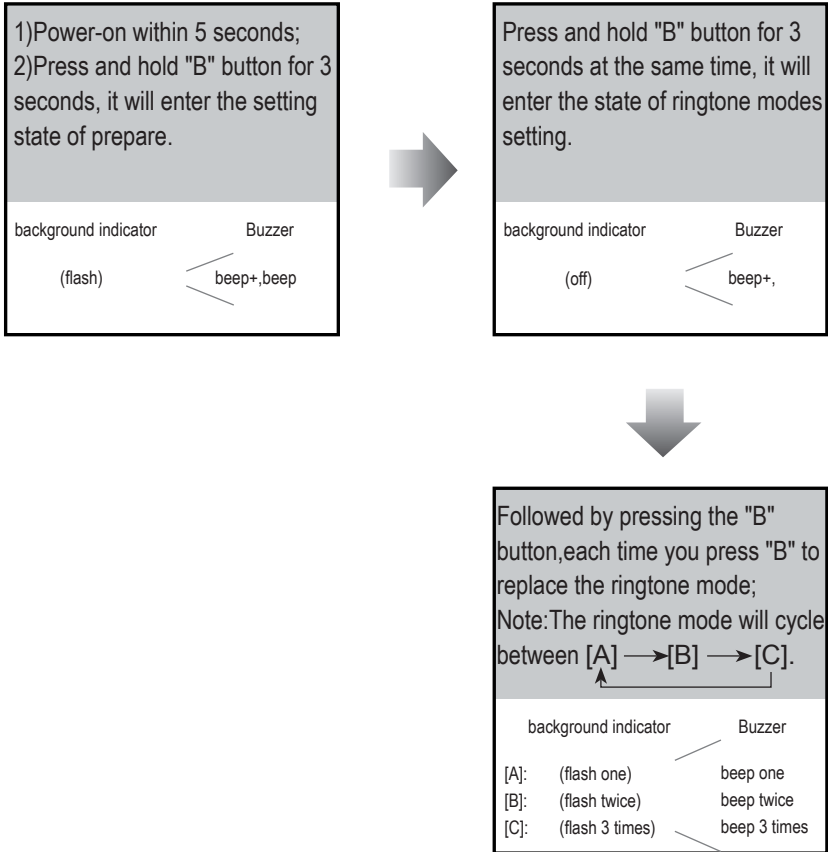
The unlock time can be set to 1~30 seconds. The default is 1s.



Note:During timing, the background indicator flashes once per second, tone beeps once per second. Less than one second by one second calculation.

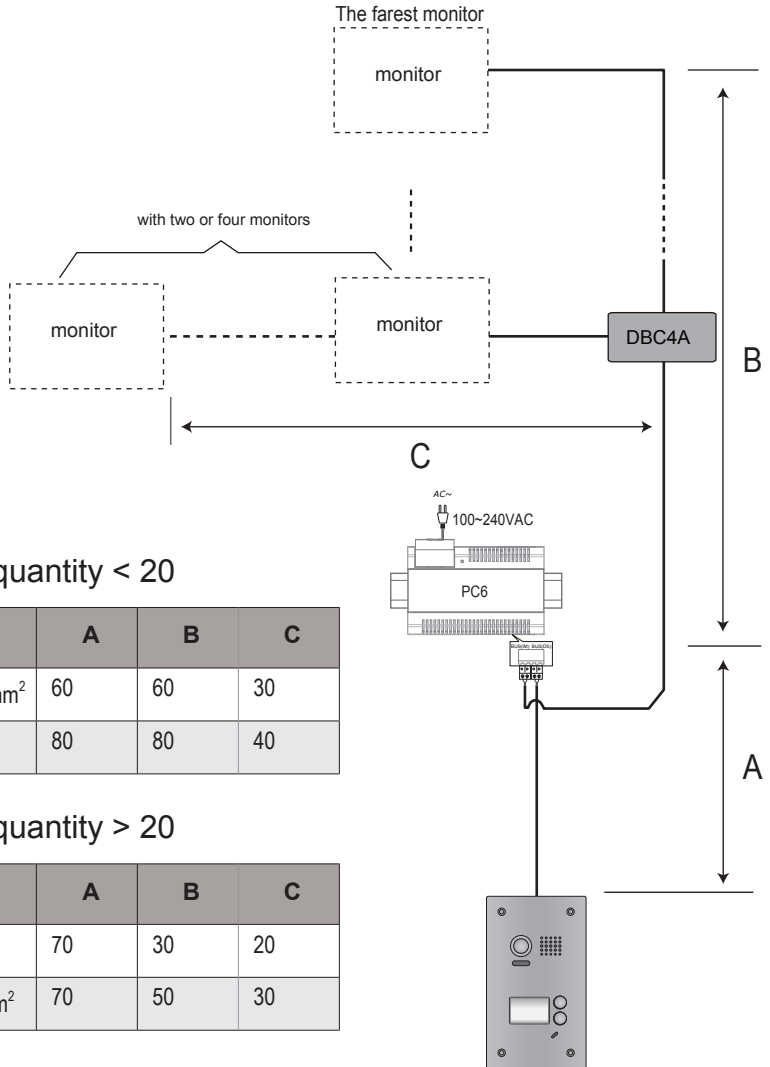
6.3 Ringtone Modes Settings

The system supports three ringtone modes: [A]one ringtone, [B]continuous ringtone, [C]forbid ringtone. The default is one ringtone.



7.Cables Requirements

The maximum distance of the wiring is limited in the DT system. Using different cables may also affect the maximum distance which the system can reach.



When Monitor quantity < 20

Cable Usage	A	B	C
Twisted cable 2x0.75 mm ²	60	60	30
Twisted cable 2x1 mm ²	80	80	40

When Monitor quantity > 20

Cable Usage	A	B	C
Twisted cable 2x1 mm ²	70	30	20
Twisted cable 2x1.5 mm ²	70	50	30

Note: If the monitor has been specified the distance, refer to the parameter.



The design and specifications can be changed without notice to the user. Right to interpret and copyright of this manual are preserved.
