

English

2-Wire Video Outdoor Station

User Manual



DT601/KP/FE

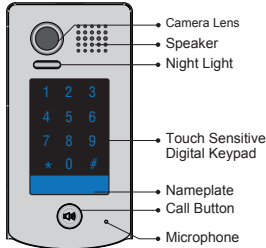


DT601F/KP/FE

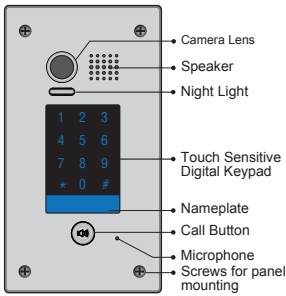
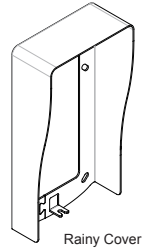
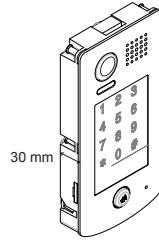
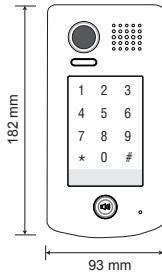
Contents

1.Parts and Functions.....	1
2.Terminal Descriptions	1
3.Door Station Mounting.....	2
4.System Wiring and Connections	4
5. Pan-tilt & Zoom & Panview.....	8
6. Functions Setting Up	10
7.Unlock Operations.....	18
8.Specifications	18
9.Cables Requirements	19
10.Precautions.....	20

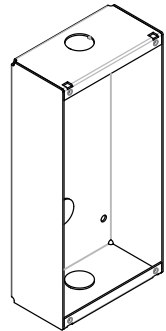
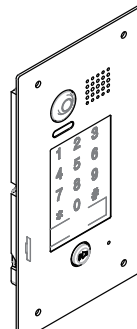
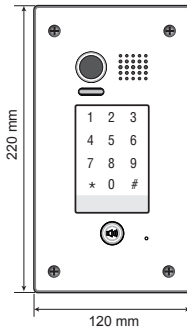
1. Parts and Functions



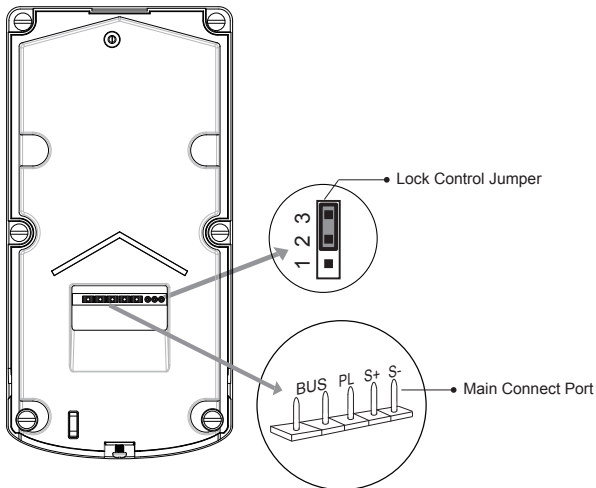
DT601/KP/FE



DT601F/KP/FE



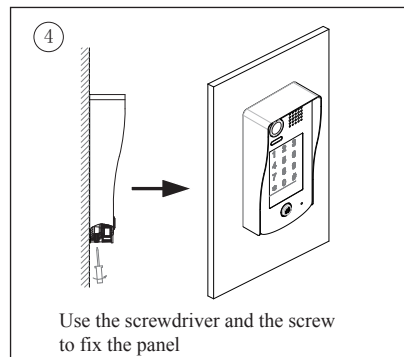
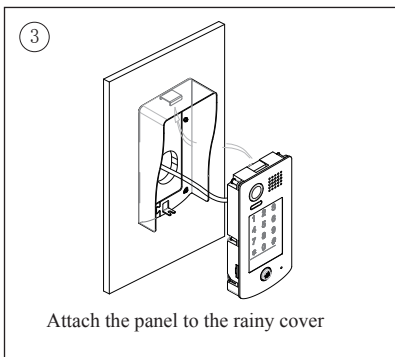
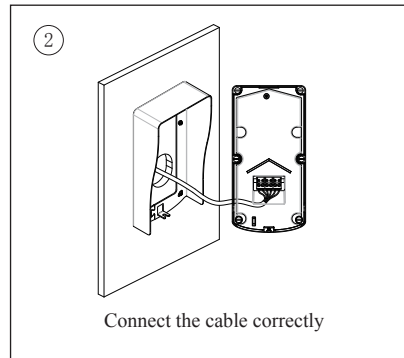
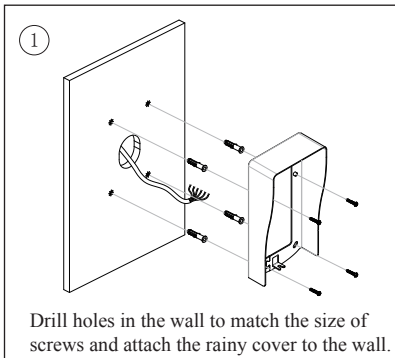
2. Terminal Descriptions



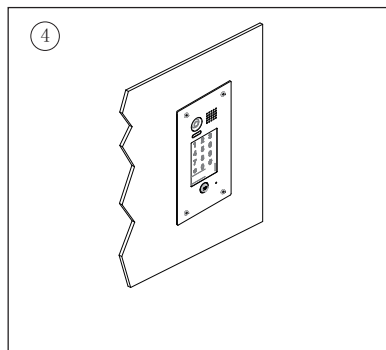
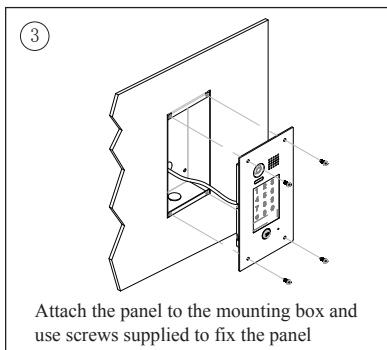
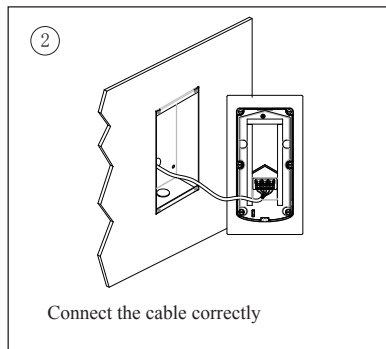
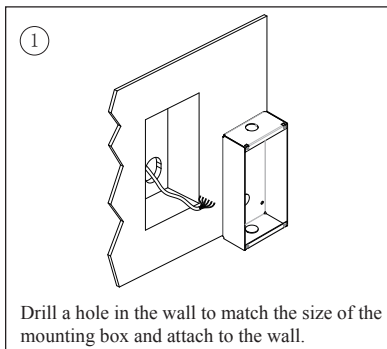
- **Lock Control Jumper:** To select the lock type.
- **Main Connect Port:** To connect the bus line and the electronic locks.
- **BUS:** Connect to the bus line, no polarity.
- **PL:** External lock power input, connect to the power positive(power +).
- **S+:** Lock power(+) output.
- **S-:** Lock power(-) output, connect to the power(-) input of locks(only when using the door station to power the locks, if using the external power supply for the locks, the S- will not be connected).

3. Door Station Mounting

DT601/KP/FE Mounting

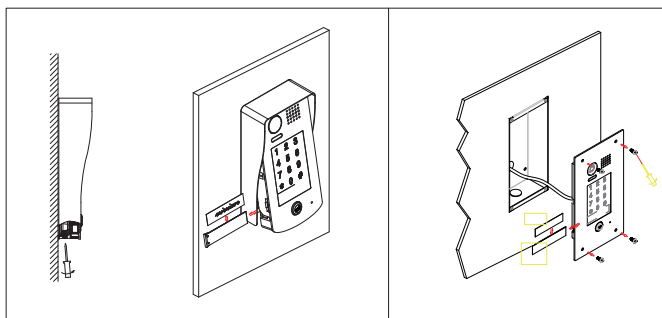


DT601F/KP/FE Mounting



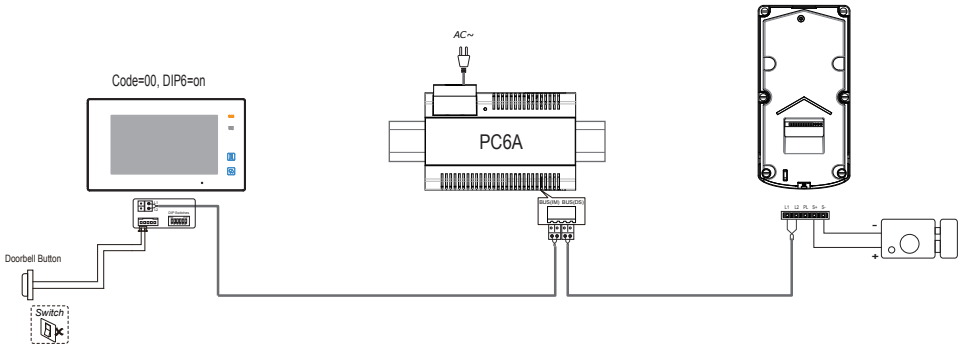
Placing Name Label

Use a screwdriver to unscrew the screw, and cock the host , then Placing Name Label.



4. System Wiring and Connections

Basic Connection

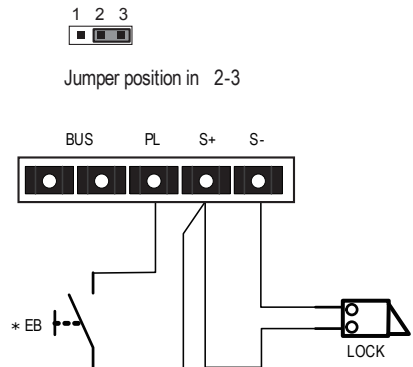


Electric Lock Connection

Door Lock Controlled with Internal Power

Note:

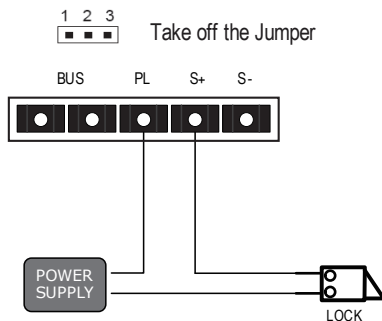
1. Electronic lock of Power-on-to-unlock type should be used.
2. The door lock is limited to 12V, and holding current must be less than 250mA.
3. The door lock control is not timed from Exit Button(EB).
4. The **Unlock Mode** Parameter of Monitor must be set to 0 (by default).



Door Lock Controlled with Dry Contact

Note:

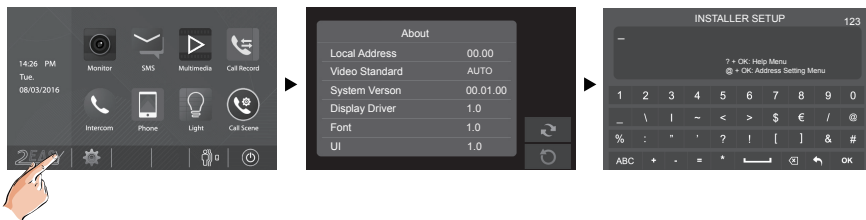
1. The external power supply must be used according to the lock.
2. The inside relay contact is restricted to AC or DC 24V/1A.
3. The jumper must be taken off before connecting.
4. Setup the **Unlock Mode** of Monitor for different lock types.
 - Power-on-to-unlock type:Unlock Mode=0 (by default)
 - Power-off-to-unlock type:Unlock Mode=1



Unlock parameter setting(set in monitor)

- On main menu page, touch **[Logo]** icon to enter **About** page.
- When the screen stay in **About** page, press **[UNLOCK]** button on front panel and hold for 2 seconds.
- A keypad is shown.

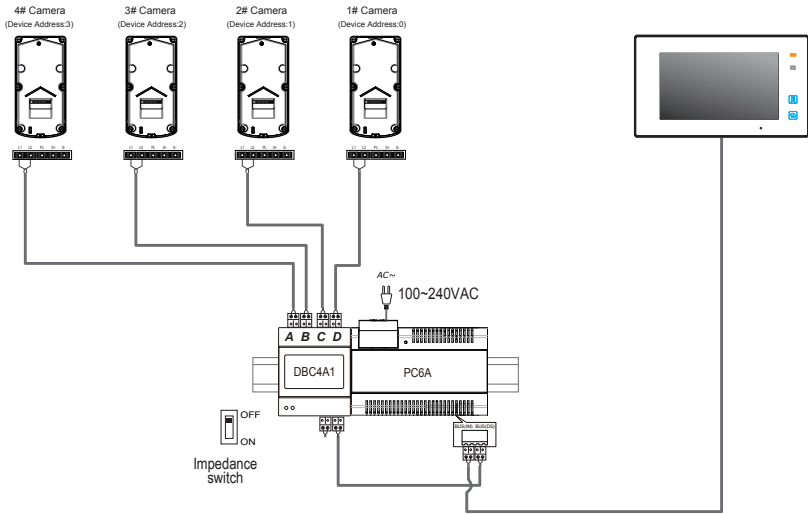
Refer to the followings:



Note:

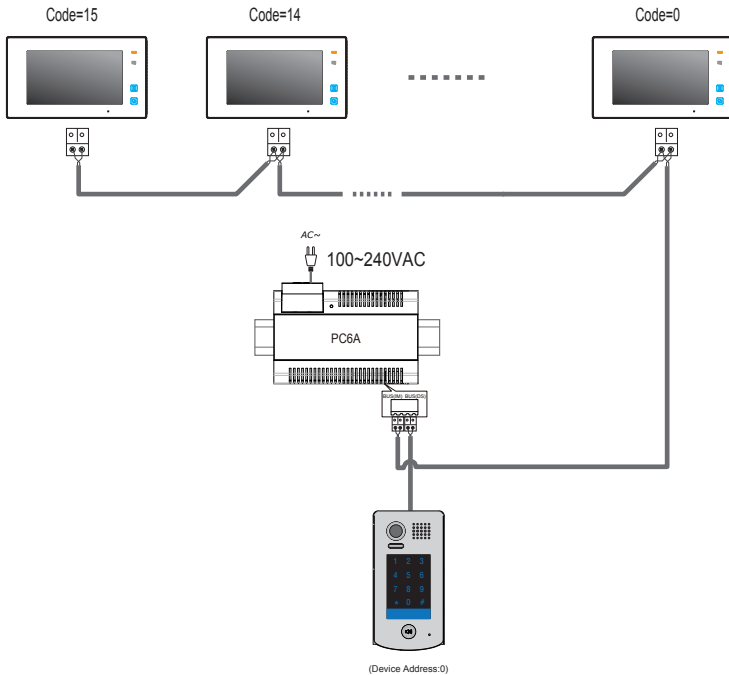
- 1.must connect DT601(F)/KP/FE correctly before setting.
- 2.the parameter will be saved in DT601(F)/KP/FE automatically,so you need only set on one monitor.
- 3.Here we take DT47MG(the monitor) for example, please refer to the corresponding user manual.

Multi Door Stations Connection



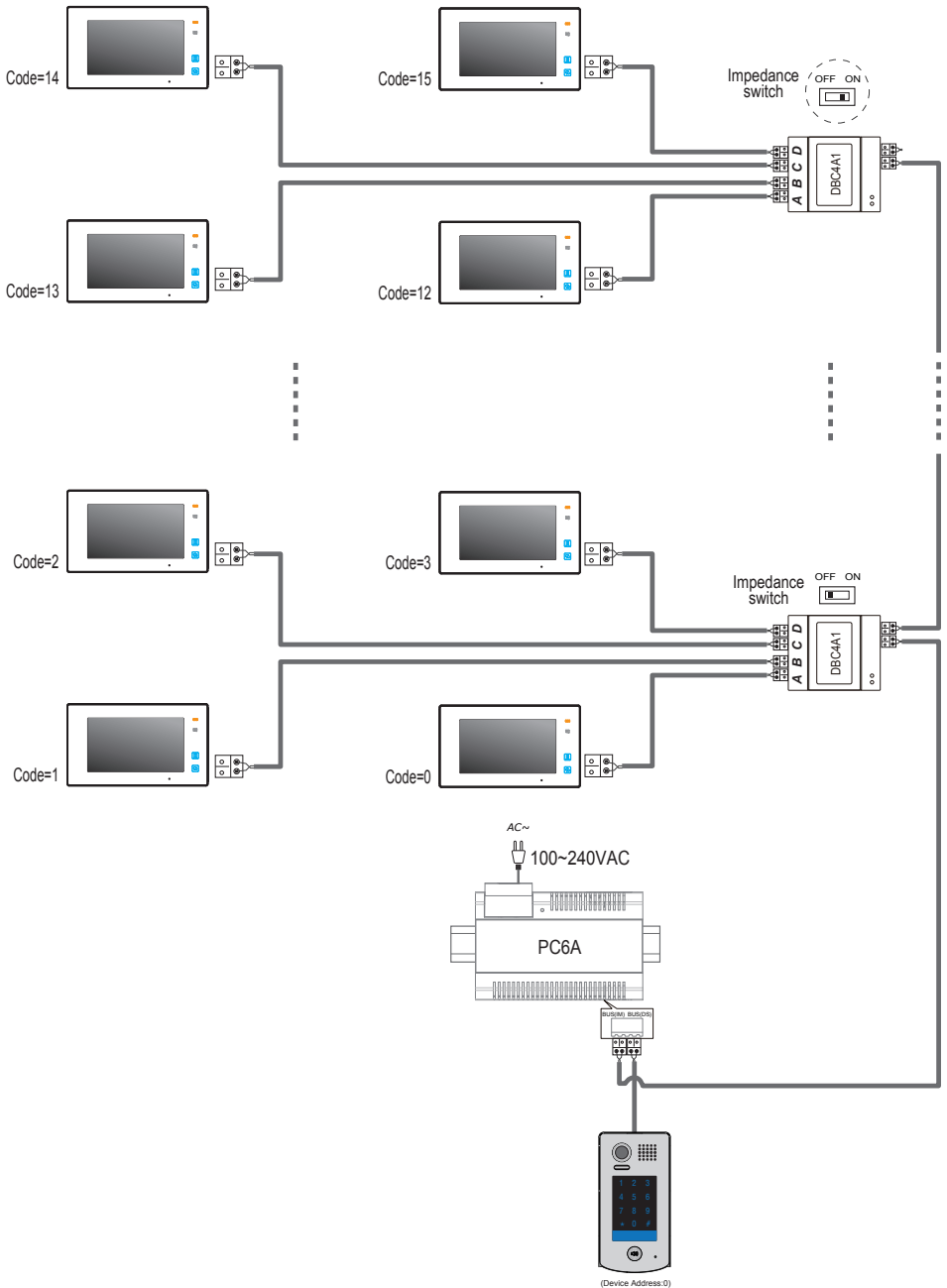
Multi Monitors Connection

Basic IN-OUT Wiring Mode



NOTE:Here we take DT47MG(the monitor) for example.

With DBC4A1 Wiring Mode



NOTE: Here we take DT47MG (the monitor) for example.

5. Pan-tilt & Zoom & Panview

Note that this function requires the monitor with fish-eye function to support.

It is available to adjust the display mode for viewing images at a fish-eye door station by using the 5 direction pad button.

When an image at a door station is displayed, move to the desired position by touching ▲ ▼ ● ◀ ▶ on the screen to view the image in zoom mode.

Note: The edge of pantilt image will not be displayed.



Screen of monitor

Here are some examples:

Touch ● icon to zoom the center position.



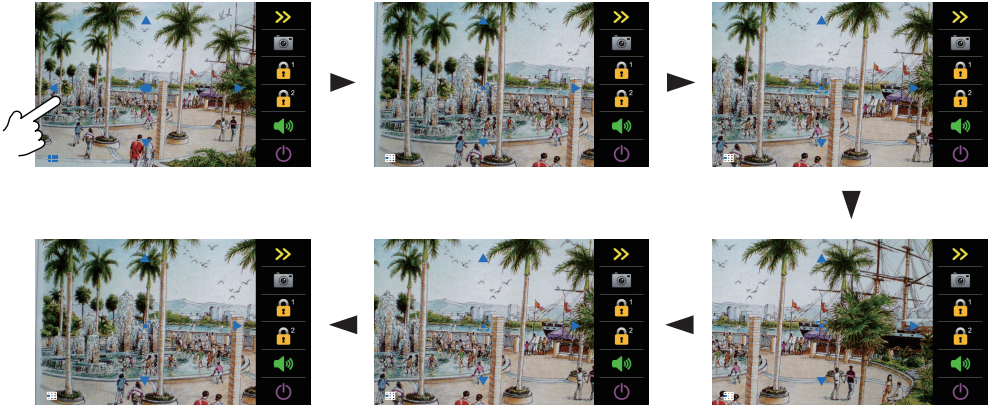
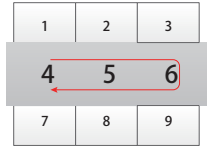
Panview function:

We divided the screen image into nine parts, as shown in the figure to the right.

In this case there are two panview modes:

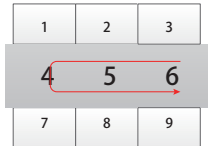


1) Touch area 4: zoom area 4, the lens moves to area 6, and then return to area 4;(As below picture)



Note: Touch the screen again to exit the panview mode.

2) Touch area 6: zoom area 6, the lens moves to area 4, and then return to area 6;(As below picture)



Note: Touch the screen again to exit the panview mode.

6. Functions Setting Up

This section explains the settings of each function, please refer to the following table:

About the setting mode:

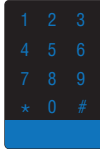
Input the master code to switch to the setting mode, and input the corresponding setting code to perform the settings for the function you want. After settings have been made, input the following setting codes to continue the setting operation. Press "*" to exit the setting mode.



- The example is set * as cancel button and # as confirm button, please refer to */# function setting for detail information.
- Forbid to slide to touch the digital keypad, it may cause mistaken key, the correct operation is using your finger to press the digital you desired.
- You should press "confirm" button after finish inputting the code number each time, otherwise, the operation will be canceled automatically in 10s.

Order	Setting items	Setting range	Default value	Setting code
1	Reset all settings	1234	-	00
2	Setting the master code	1 ~ 12 digits Valid keys:0 ~ 9	1234	01
3	Setting the key illumination time	10 to 99 seconds/ continually lit	10 seconds	02
4	Setting the unlock time	01 to 99 seconds	1 seconds	03
5	Setting the unlock mode	0:opened/1:closed	opened	04
6	Operation tone settings	0:on/1:off	on	05
7	Reset code settings	1234	-	06
8	*&# function settings	0:Normal/1:Reverse	Normal	07
9	Call tone settings	0:Enable/1:Disable	Enable	08
10	Interference resistant grade settings	Valid keys:0 ~ 5	2	09
11	MIC Adjustment	Valid keys:0~9	7	10
12	SPK Adjustment	Valid keys:0~9	4	11

13	Display Scene	Valid keys:0~2	0	12
14	Night Light Level	Valid keys:0~5	4	13
15	Device Address	Valid keys:0~3	0	14
16	Reserve(not used)	Reserve	Reserve	15~17
17	Setting the code forTemporary1	1 ~ 12 digits Valid keys:0~9	-	18
18	Setting the code forTemporary2	1 ~ 12 digits Valid keys:0~9	-	19
19	Setting the code for user group1	1 ~ 12 digits Number of codes:40 Valid keys:0~9	-	20~59
20	Setting the code for user group2	1 ~ 12 digits Number of codes:40 Valid keys:0~9	-	60~99
21	Work Mode	0:A partment/1:Villa	1(villa)	100
22	Call Address	Valid keys: 0 - 9	00	101



Each operation is indicated by the lighting up of the different color of digital key and nameplate, and by the sounding of the buzzer.

Input the master code. (Default: [1 2 3 4] +[#])	The color of key indicator (white) Beep+, Beep
--------------------------------------------------------	--------------------------------------------------------

1.Reset all settings	2.Setting the master code (Default : 1234)	3.Setting the key illumination time (Default : 10s)	4.Setting the unlock time (Default : 1s)
----------------------	-----------------------------------------------	--------------------------------------------------------	---------------------------------------------

Input the setting code. 00+#
The color of key indicator (yellow) Beep+, Beep

Input the setting code. 01+#
The color of key indicator (yellow) Beep+, Beep

Input the setting code. 02+#
The color of key indicator (yellow) Beep+, Beep

Input the setting code. 03+#
The color of key indicator (yellow) Beep+, Beep

Inputting of code 1234+#
The color of key indicator (green--white) Beep+

Inputting of new master code (ex.: 4321)(1~12 digits) 4321+#
The color of key indicator (green--white) Beep+

Inputting of code (ex.: 10) range:00 or 10~99 10+#
The color of key indicator (green--white) Beep+

Inputting of code (ex.: 09) range:01~99 09+#
The color of key indicator (green--white) Beep+

<ul style="list-style-type: none"> - When the " * cancel" key is pressed, the indicator will show its standby color, the buzzer beeps, and the system exits the setting mode. - When there isn't any operation in 10s, the indicator will show its standby color, the buzzer beeps, and the system exits the setting mode. - When setting failure, the color of key indicator will turn red, the buzzer beeps. 	The color of key indicator (The color of standby) Beep, Beep+
-------------------------------------------------------------------------------------------------------------------------------------------------------------------------------------------------------------------------------------------------------------------------------------------------------------------------------------------------------------------------------------------------------------------------------------------------	-----------------------------------------------------------------------

- All settings will restore to their default value.
- When power on or activate the reset all setting item, the keypad checking will carry out, during this time, the key illumination will blink and the touching operation is forbidden, after finish checking, the key illumination will stop blinking and sent out a long sound of beep

- The master code is allowed 1~12 digits, the same code cannot be set for both the user code and the master code, it is recommended that you modify the default master code.

- If the key illumination time is set to 00, the key illumination will light up all the time when power on.
- If the key illumination time is set to 10~99, the key illumination will light up for 10~99 seconds. At this mode, the key illumination lights off in standby mode, touching any digital key can illuminate, but this is the invalid digital.

- The unlock time can be set on both monitor and door station, and the valid value is the number you set last time.

Input the master code.
(Default : [1 2 3 4] +[#])

The color of key indicator
(white) Beep+, Beep

5. Setting the unlock mode (Default : 0(opened)) **6. Setting operation tone** (Default : ON)

7. Reset code setting **8. *&# function setting** (Default : Normal)

Input the setting code.
04+#

The color of key indicator
(yellow) Beep+, Beep

Input the setting code.
05+#

The color of key indicator
(yellow) Beep+, Beep

Input the setting code.
06+#

The color of key indicator
(yellow) Beep+, Beep

Input the setting code.
07+#

The color of key indicator
(yellow) Beep+, Beep

0/1

Inputting of code (ex.: 1)
range:0:(open)/1:(close)
1+#

The color of key indicator
(green→white) Beep+

0/1

Inputting of code (ex.: 1)
range:0:(on)/1:(off)
1+#

The color of key indicator
(green→white) Beep+

Inputting of code
1234+#

The color of key indicator
(green→white) Beep+

0/1

Inputting of code (ex.: 1)
range:0:(normal)/1:(reverse)
1+#

The color of key indicator
(green→white) Beep+

- When the “ * cancel” key is pressed, the indicator will show its standby color, the buzzer beeps, and the system exits the setting mode.
- When there isn't any operation in 10s, the indicator will show its standby color, the buzzer beeps, and the system exits the setting mode.
- When setting failure, the color of key indicator will turn red , the buzzer beeps.

The color of key indicator
(The color of standby) Beep, Beep+

- The unlock mode can be set on both monitor and door station, and the valid value is the number you set last time.

- When the operation tone is set to 0,pressing the digital keypad will sent out a sound of beep.
- When the operation tone is set to 1,pressing the digital keypad will blink one time.

- Cancel all the passwords except the master code.
- Restore the master code to default value(1,2,3,4)

- When the item is set to 0,press the * button to cancel the input, and press the # button to confirm the input.
- When the item is set to 1,press the # button to cancel the input, and press the * button to confirm the input .

Input the master code.
(Default: [1 2 3 4] +[#])

The color of key indicator
(white) Beep+, Beep

9. Call tone setting (Default : enable) **10. Interference resistant grade setting (Default : 2)** **11. IMC volume adjust setting (Default:7)** **12. SPK volume adjust setting (Default:4)**

Input the setting code.
08+#

The color of key indicator
(yellow) Beep+, Beep

Input the setting code.
09+#

The color of key indicator
(yellow) Beep+, Beep

Input the setting code.
10+#

The color of key indicator
(yellow) Beep+, Beep

Input the setting code.
11+#

The color of key indicator
(yellow) Beep+, Beep

0/1

Inputting of code (ex.: 1)
range:0(enable)/1:(disable)
1+#

The color of key indicator
(green→white) Beep+

Inputting of code (ex.: 3)
range:0~5
3+#

The color of key indicator
(green→white) Beep+

Inputting of code (ex.: 5)
range:0~9
5+#

The color of key indicator
(green→white) Beep+

Inputting of code (ex.: 5)
range:0~9
5+#

The color of key indicator
(green→white) Beep+

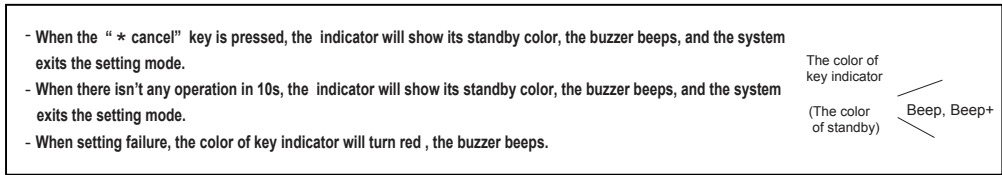
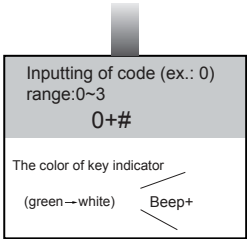
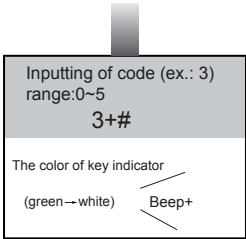
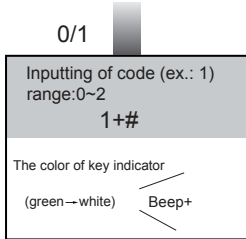
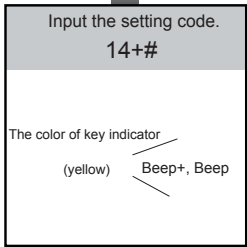
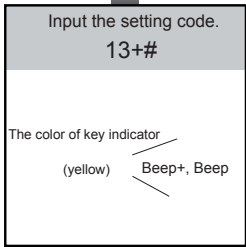
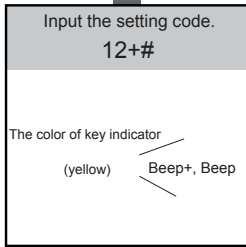
- When the “ * cancel” key is pressed, the indicator will show its standby color, the buzzer beeps, and the system exits the setting mode.
- When there isn't any operation in 10s, the indicator will show its standby color, the buzzer beeps, and the system exits the setting mode.
- When setting failure, the color of key indicator will turn red , the buzzer beeps.

The color of key indicator
(The color of standby) Beep, Beep+

- If the item is set to 0, the unit will respond a call tone when pressing the "CALL" button.
- If the item is set to 1, the unit will have no responds when pressing the "CALL" button.

- The larger you set the interference resistant grade, the stronger it will be, but the sensitivity of the keypad will be more lower.
- The interference resistant grade setting also will activate the keypad checking.

- Unlock via password is still available even when the door station is talking.
- When door station is talking, you can enter the Master code (the LED turns white upon that) to activate the volume adjusting function:
* MIC adjustment: 1 (up), 4 (down);
* Sleaker adjustment: 3 (up), 6 (down).



- Scene0: Standby(blue), calling (blue blinks rapidly), talking(blue blinks slowly), unlock(green).
- Scene1: Standby(green), calling (green blinks rapidly), talking (greenblinks slowly), unlock(blue).
- Scene2: Standby(blue), calling (yellow), talking(red), unlock(green).

- Night Light Level:0~5.
- The higher the number, the brighter the night lights.

- Device address Settings:
0(device address:0),1(device address:1),2(device address:2), 3(device address:3).

Input the master code.
(Default: [1 2 3 4]+[#])

The color of key indicator
(white) Beep+, Beep

16. Setting the code for Temporary1 17. Setting the code for Temporary2 18. Setting the code for user group1 19. Setting the code for user group2

<p>Input the setting code. 18+#</p> <p>The color of key indicator (yellow) Beep+, Beep</p>	<p>Input the setting code. 19+#</p> <p>The color of key indicator (yellow) Beep+, Beep</p>	<p>20~59 Input the setting code. (ex.:21) 21+#</p> <p>The color of key indicator (yellow) Beep+, Beep</p>	<p>60~99 Input the setting code. (ex.:60) 60+#</p> <p>The color of key indicator (yellow) Beep+, Beep</p>
----------------------------------------------------------------------------------------------------------------	----------------------------------------------------------------------------------------------------------------	-----------------------------------------------------------------------------------------------------------------------------------	-----------------------------------------------------------------------------------------------------------------------------------

<p>Inputting of code (ex.: 1006) 1~12 digits 1006+#</p> <p>The color of key indicator (green→white) Beep+</p>	<p>Inputting of code (ex.: 2011) 1~12 digits 2010+#</p> <p>The color of key indicator (green→white) Beep+</p>	<p>Inputting of code (ex.: 2011) 1~12 digits 2011+#</p> <p>The color of key indicator (green→white) Beep+</p>	<p>Inputting of code (ex.: 2012) 1~12 digits 2012+#</p> <p>The color of key indicator (green→white) Beep</p>
---------------------------------------------------------------------------------------------------------------------------------------	---------------------------------------------------------------------------------------------------------------------------------------	---------------------------------------------------------------------------------------------------------------------------------------	--------------------------------------------------------------------------------------------------------------------------------------

- When the “ * cancel” key is pressed, the indicator will show its standby color, the buzzer beeps, and the system exits the setting mode.

- When there isn't any operation in 10s, the indicator will show its standby color, the buzzer beeps, and the system exits the setting mode.

- When setting failure, the color of key indicator will turn red , the buzzer beeps.

The color of key indicator
(The color of standby) Beep, Beep+

- When input the correct temporary password to release the door, the system will clear the temporary password after 60 seconds automatically. But you should know that the password is valid within 60 seconds after inputting the correct temporary password
- The temporary1 is used to release the first lock, and the temporary 2 is used to release the second lock (the second lock need external device to support).
- If the password length exceeds 12 digits, the system will sent out the sound of “beep,beep,beep,beep”, and the digitals you input before will be cleared at the same time.
- The temporary code can not be set the same as the master code and user code.

- The user code group1 is used to release the first lock, and the user code group2 is used to release the second lock (the second lock need external device to support).
- The user code group1 and user code code group2 can contain 40 group passwords
- If the password length exceeds 12 digits, the system will sent out the sound of “beep,beep,beep,beep”, and the digitals you input before will be cleared at the same time.
- The user code can not be set the same as the master code and temporary code.

Input the master code.
 (Default: [1 2 3 4]+[#])

The color of key indicator
 (white) Beep+, Beep

20. Work mode setting
 (Default: 1/villa)

21. Call address setting
 (Default: villa:00, 16;
 a partment:00~31)

Input the setting code.
100+#

The color of key indicator
 (yellow) Beep+, Beep

Input the setting code.
101+#

The color of key indicator
 (yellow) Beep+, Beep

Inputting of code (ex.: 1)
 range:0(a partment)/1:(villa)
0+#

The color of key indicator
 (green—white) Beep+

Inputting of code (ex.: 1)
 range:Valid keys: 0 - 9
0+#

The color of key indicator
 (green—white) Beep+

- When the " * cancel" key is pressed, the indicator will show its standby color, the buzzer beeps, and the system exits the setting mode.

- When there isn't any operation in 10s, the indicator will show its standby color, the buzzer beeps, and the system exits the setting mode.

- When setting failure, the color of key indicator will turn red , the buzzer beeps.

The color of key indicator
 (The color of standby) Beep, Beep+

- Work mode setting:
 0(a partment)/1:(villa).

- When the work mode is villa,the call address:00 or 16.
 - When the work mode is a partment, the range of call address:00~31.

7.Unlock Operations

Unlocking of user code

When the registered user code has been input using the keypad (1~12 digits), the LED background indicator lights up, the buzzer sounds,and the electric door strike is unlocked.(note that you should press "#" button(if "#" button is set to confirm button) after input the unlock code)

- The time interval during which the button must be pressed is approximately 10 seconds. If the time interval exceeds approximately 10 seconds, the input value will be cleared.
- If you make a mistake when inputting the user code,press the" cancel" button and input the user code again.
- The release function is forbidden and the input operation is disabled for 60 seconds if 10 times incorrect access codes are continuously attempted. During this time,the buzzer will continuously sound about 8 times.



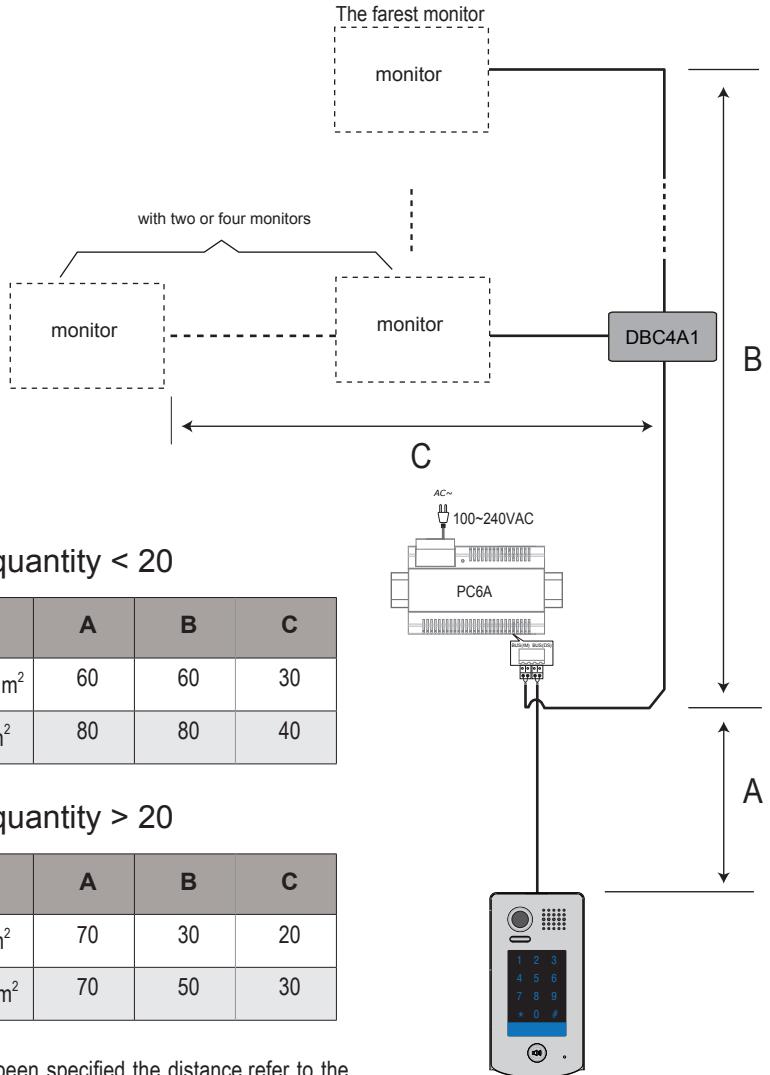
1. During calling,pressing "cancel" button can cancel the calling
2. If input the incorrect access code,the buzzer will sound of beep,beep,beep

8.Specifications

- Power Supply : DC 24V ;
- Power Consumption: Standby 40mA; Working status 160mA;
- Camera: Color CMOS, 2.0 Mega pixel
1/2.7" fisheye camera,170⁰ wide angle;
- Unlocking time: 1~99s
- Lock Power supply: 12Vdc, 280mA(Internal Power);
- Number of relay circuits: 2(the second lock need external device to support)
- Mounting: Surface mounting(DT601/KP/FE)
Flush mounting (DT601F/KP/FE)
- Working temperature: -15°C ~ +55°C
- Dimension: 182(H)×93(W)×44(D)mm(DT601/KP/FE)
220(H)×120(W)×50(D)mm(DT601F/KP/FE)

9.Cables Requirements

The maximum distance of the wiring is limited in the DT system. Using different cables may also affect the maximum distance which the system can reach.



When Monitor quantity < 20

Cable Usage	A	B	C
Twisted cable 2x0.75 mm ²	60	60	30
Twisted cable 2x1 mm ²	80	80	40

When Monitor quantity > 20

Cable Usage	A	B	C
Twisted cable 2x1 mm ²	70	30	20
Twisted cable 2x1.5 mm ²	70	50	30

Note:If the monitor has been specified the distance,refer to the parameter.

10. Precautions

- Please clean the unit with soft cotton cloth, don't use the organic impregnant or chemical clean agent. If necessary, please use a little pure water or dilute soap water to clean the dust.
- The unit is weather resistant. However do not spray high pressure water on access control keypad directly. Excessive moisture may cause problems with the unit.
- You must use the right adaptor which is supplied by the manufacture or approved by the manufacture..
- Pay attention to the high voltage inside the products, please refer service only to a trained and qualified professional.

Note

A series of horizontal dotted lines for writing notes.

The design and specifications can be modified without notice to the user. Right to interpret and copyright of this manual are reserved.