

Product Information

DT610 2-Wire Outdoor Station

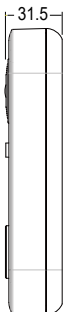
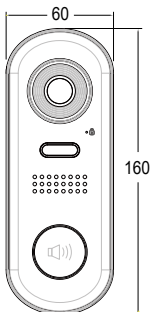


DESCRIPTION

2-wire system outdoor station with fisheye camera.

DIMENSION

Unit: mm

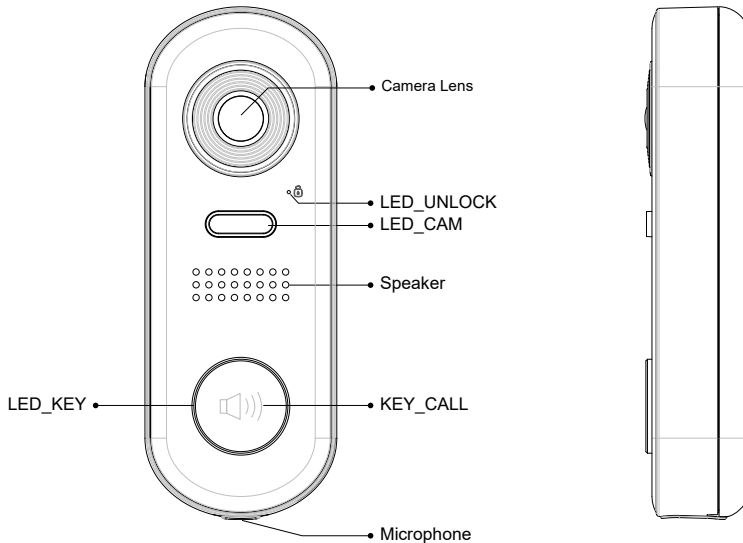


FEATURES

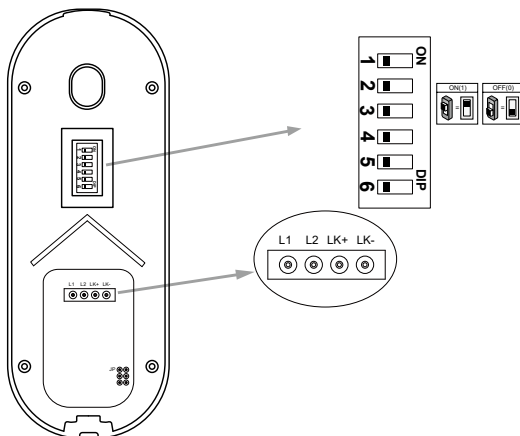
- Better image/video;
 - Unlock-state indicators;
 - Voice prompts;
 - Soft LED;
 - IP 43 waterproof;
 - Max.170° fisheye lens;
*105°lens for optional.
-



1. Parts and Functions



2. Terminal Description



DIP

Bit 1&2: to set door station address, total 4 door stations can be supported. Please refer to door station address setting.

Bit 3&4: to set unlock time for door station. Please refer to unlock time setting.

Bit 5: to set unlock mode for door station(0(OFF):opened/1(ON):closed).

Bit 6: 0(OFF) --> 1(ON), to enter setting mode.

L1,L2: Connect to the bus line, no polarity.

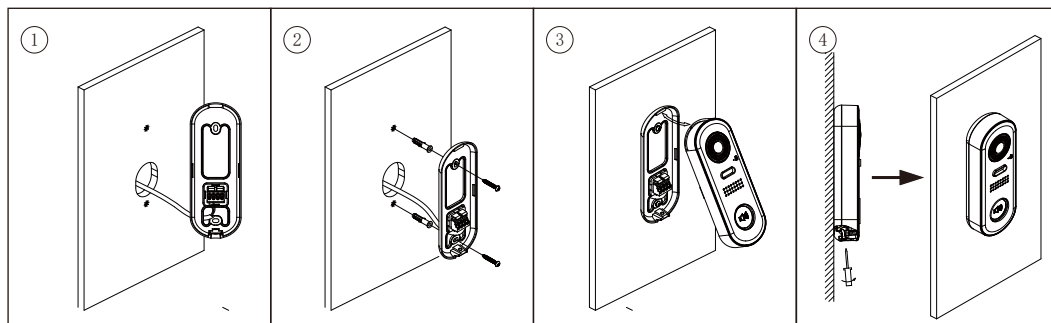
LK+: Lock power(+) output.

LK-: Lock power(-) output, connect to the power(-) input of locks(only when using the door station to power the locks, if using the external power supply for the locks, the LK- will not be connected).

JP: Lock Control Jumper.



3. Mounting



1. Installation height for door station usually is 145~160cm.
2. Use screws to fix the back panel to the wall after connect the cable correctly.
3. Attach the front panel to the back panel, then use the screw to fix it.

4. Specification

- Power Supply : DC 24V;
- Power Consumption: Standby 14mA; Working status 122mA;
- Fish Camera: Color CMOS, 2.0 Mega pixel
1/2.7" fisheye camera, 170° wide angle;
- 3089 Camera: Color CMOS, 520TVL , 1/4" camera, 105°
wide angle (DT608C).
- Lock Power supply: 12Vdc, 250mA (Internal Power);
- Working temperature: -20°C ~ +55°C;
- Wiring: 2 wires, non-polarity;
- Protection: IP44
- Dimension: 160(H)×60(W)×31.5(D)mm



5. Ordering Information

Model No.	Description	Remark
DT610	Fisheye camera outdoor station by surface mounting.	NSTC, PAL must be specified
DT610C	3089 camera outdoor station by surface mounting.	NSTC, PAL must be specified

6. Packing Information

Single Package



Carton Package



Dimensions: 166(H)×103(W)×60(D)mm

Gross Weight: 0.53Kg

Carton: 340 (H)×530 (W)×258 (D)mm

Quantity: 32PCS